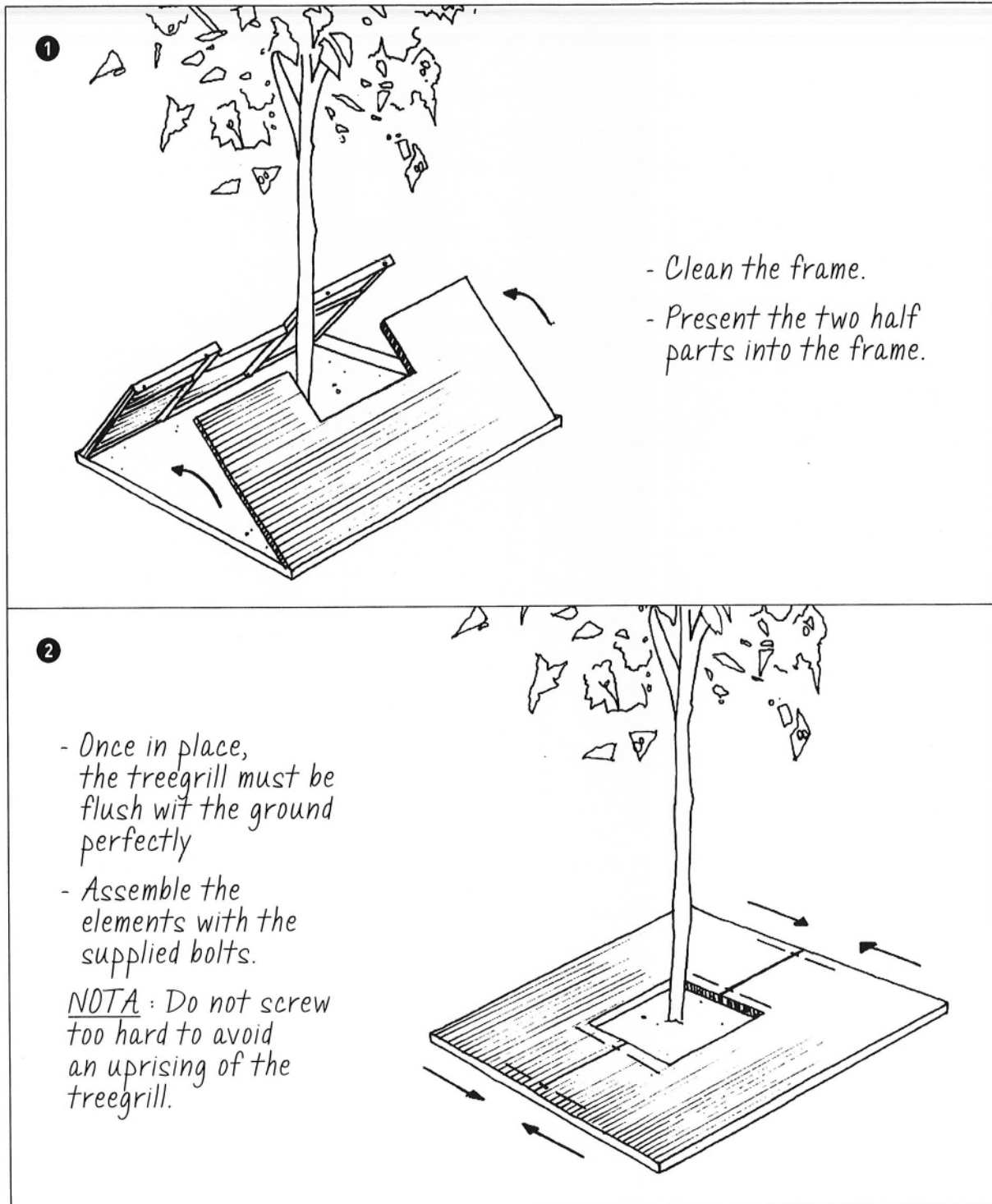
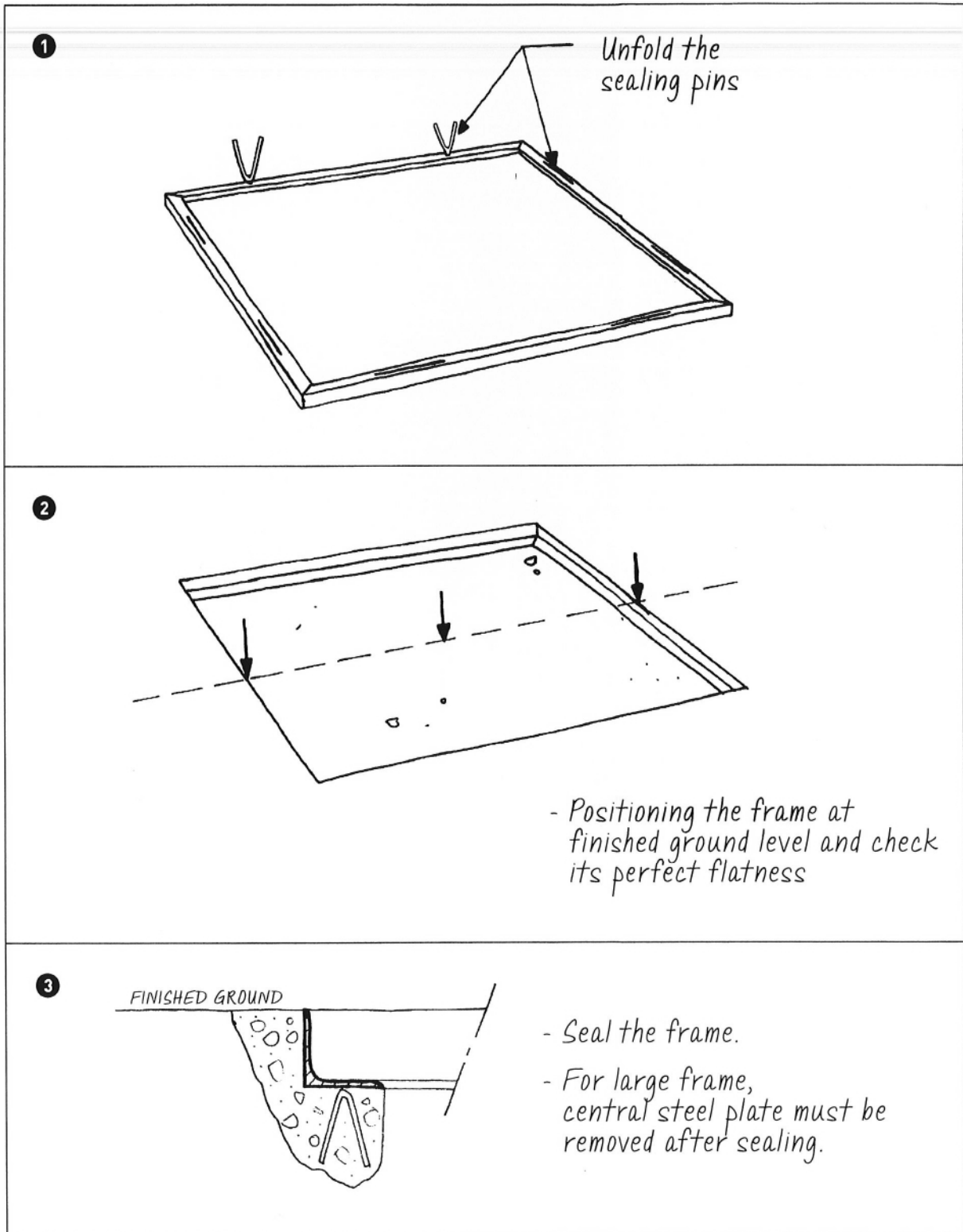


# Area treegrill

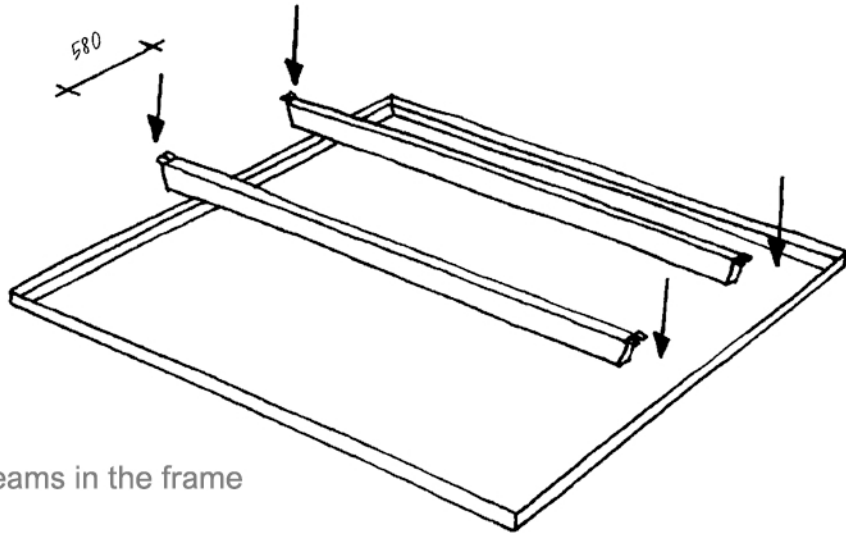


# Frame



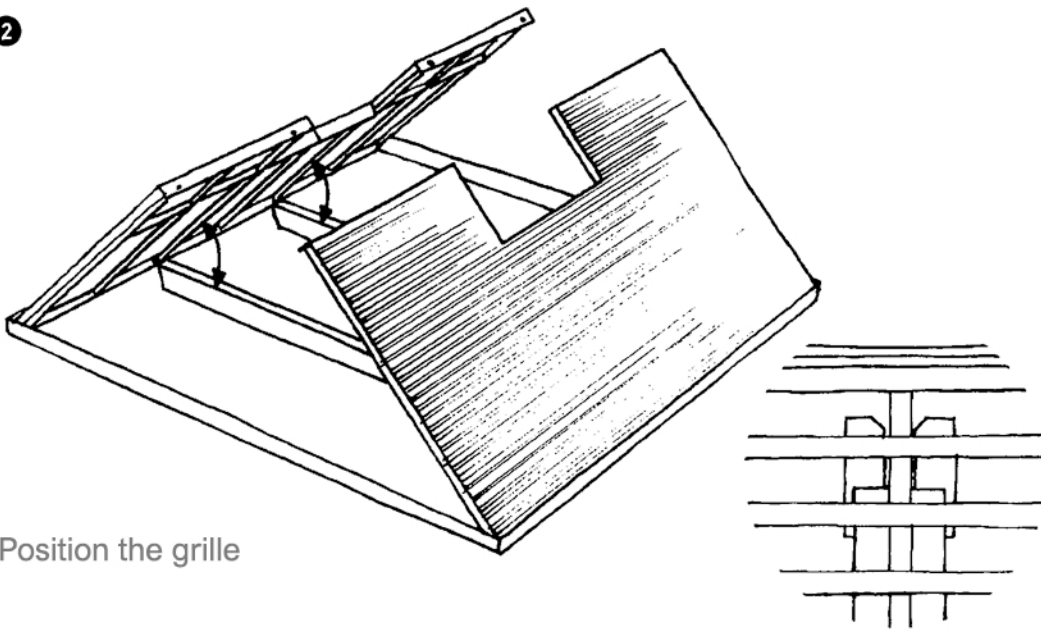
## Support bar \*optional

1



Place the support beams in the frame

2



Position the grille