

Scala

MI-98764020

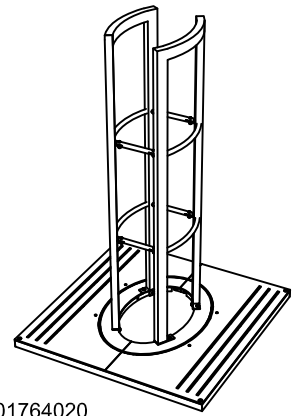
1/1

Scala boomkorf hoog

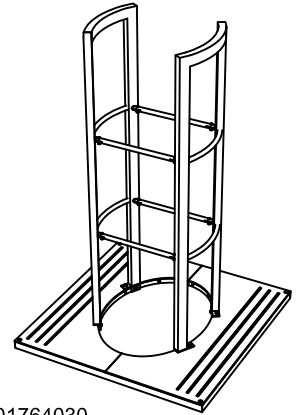
Scala corset haut

Scala Baumkorb hoch

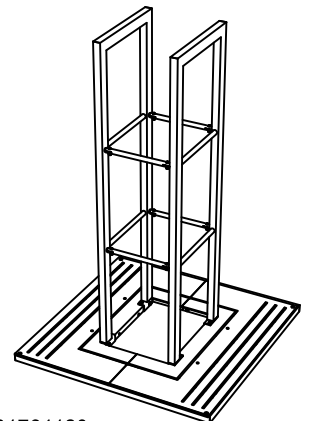
Scala grid basket high



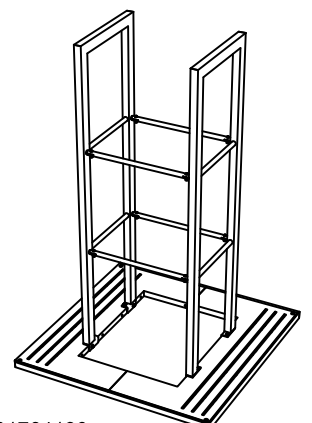
01764020



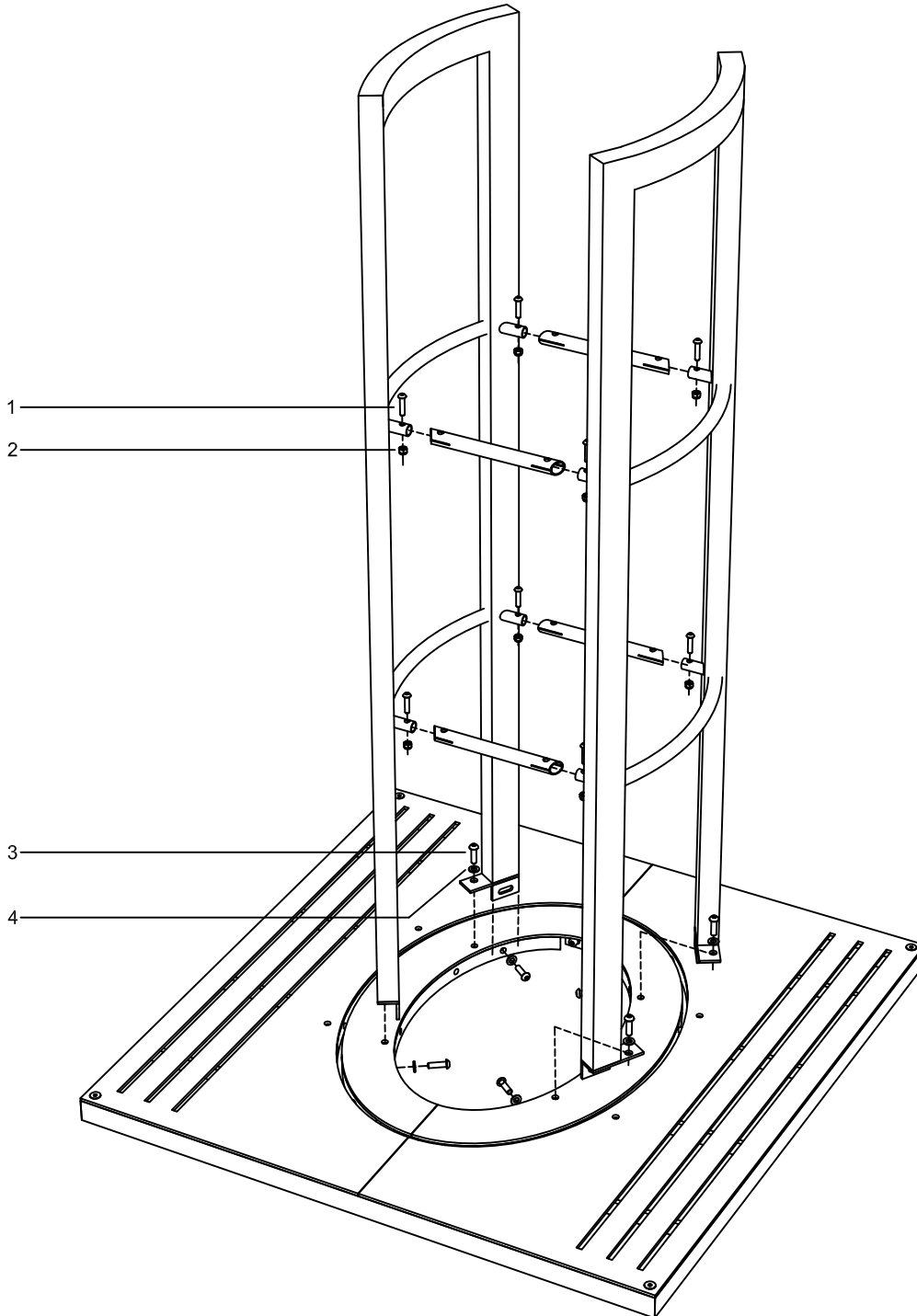
01764030



01764120



01764130



Doc. Name: MI-Scala boomkorven.dwg
Doc. Size: A4
Rev. 01, 15-04-04

www.velopa.com



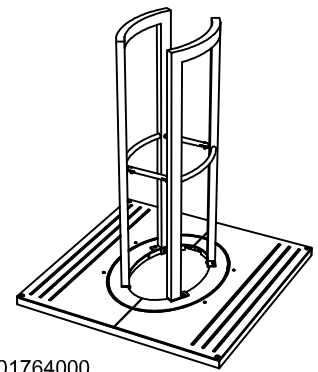
Item	Qty	Art.nr.				
1	8x	30118970	M8x35	laagbolkop bzk (RVS)	boulon tête ronde à encoche (inox)	Rundkopfschraube (Edelstahl) socket head bolt (stainless steel)
2	8x	54900340	M8	borgmoer (RVS)	écrou bloquant (inox)	Sicherungsmutter (Edelstahl) prevailing torque nut (stainless steel)
3	8x	54941010	M10x35	laagbolkop bzk	boulon tête ronde à encoche	Rundkopfschraube socket head bolt
4	8x	54140000	M10	ring	rondelle	washer

Scala

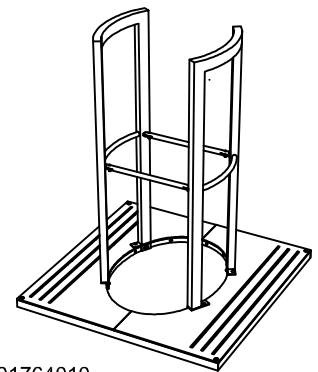
MI-98764000

1/1

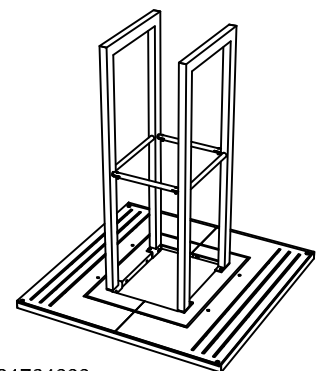
Scala boomkorven laag
Scala corset bas
Scala Baumbügel niedrig
Scala tree bracket low



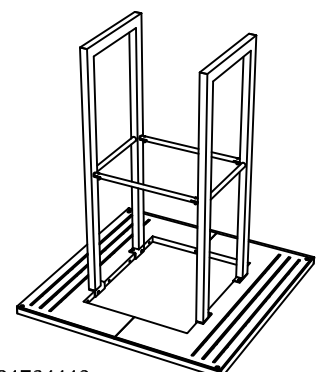
01764000



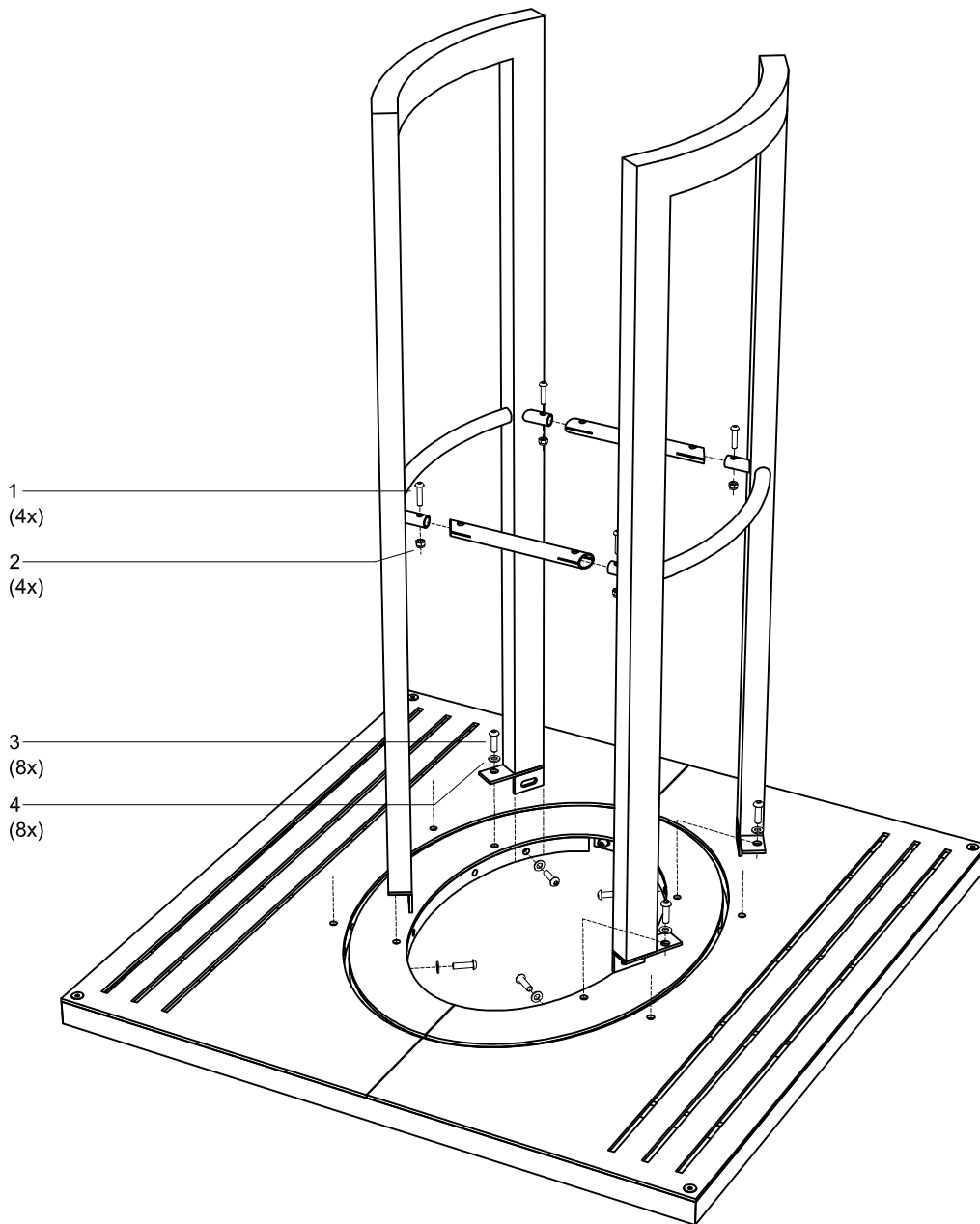
01764010



01764000



01764110



1
(4x)

2
(4x)

3
(8x)

4
(8x)

Doc. Name: MI-Scala boomkorven.dwg
Doc. Size: A4
Rev. 01, 15-04-'04

www.velopa.com



Velopa

Item	Qty	Art.nr.					
1	4x	30118970	M8x35	laagbolkop bzk (RVS)	boulon tête ronde à encoche (inox)	Rundkopfschraube (Edelstahl)	socket head bolt (stainless steel)
2	4x	54900340	M8	borgmoer (RVS)	écrou bloquant (inox)	Sicherungsmutter (Edelstahl)	prevailing torque nut (stainless steel)
3	8x	54941010	M10x35	laagbolkop bzk	boulon tête ronde à encoche	Rundkopfschraube	socket head bolt
4	8x	54140000	M10	ring	rondelle	Ring	washer